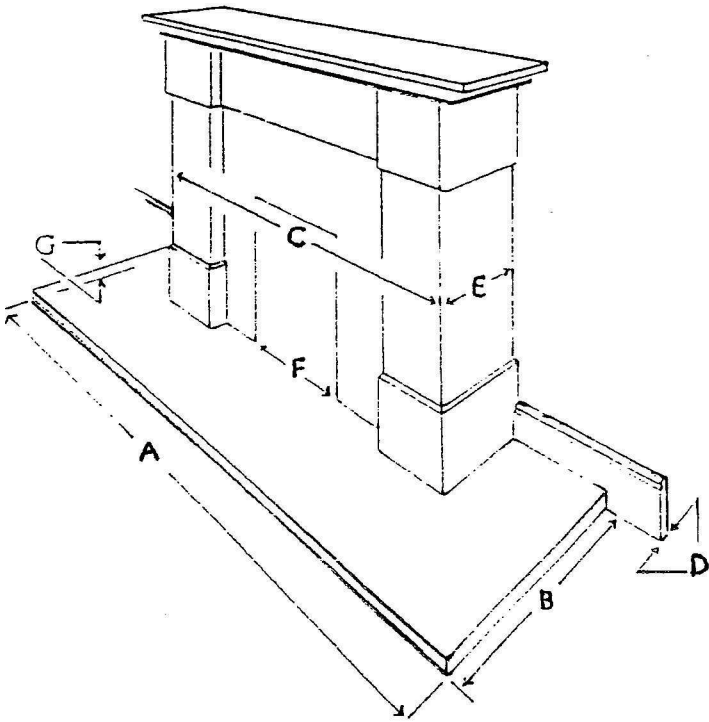


Order No
 Name
 Address

 Post code
 Tel. No
 Mob. No.
 Fax. No
 Email.

TOTAL	
VAT	
SUB TOTAL	
LESS DEPOSIT	
BALANCE	



If you find the measuring too daunting, we are delighted to make an appointment to come and see you with samples and do this.

Type of fender required:

- Fender Seat
- Low level fender

to be made in:

- Brass - polished or antiqued
- Steel - Brushed/burnished/satin black
- Wood - Oak, Mahogany, etc.
- Wood base/Brass top
- Steel base/Brass top
- Chrome

Measurements:

1. Is the hearth raised or flat? Fender to sit on or around it?
2. Is your fender to surround or butt up to your fire surround?
3. What is the outside width of your fire surround (see C on plan)?
4. **Your hearth measurements:**

- A. Width ins./cm
- B. Depth to wall or to fire surround (state which) ins./cm
- C. Outside width of fire surround (to agree with 3) ins./cm
- D. Skirting board thickness (if applicable) ins./cm
- E. Depth of fire surround (if applicable) ins./cm
- F. Size of fire opening ins./cm
- G. Hearth thickness ins./cm

Any other measurements: i.e. power points, gas taps, please show position and dimensions.
 Total height of Fender Normal height is 18"/21", we can vary this.

Your skirting thickness

Your skirting thickness

